

THE ADVENT COURIER

Volume 17, Issue 02

Sharing Christ's Love, We Are A Welcoming, Caring, Serving Community. Come and See.

Summer 2015



Advent Lutheran Church
2222 S. Arlington Ridge Rd
Arlington, VA 22202
703-521-7010
adventlc@hotmail.com
www.adventlc.us

SUNDAY WORSHIP OPPORTUNITIES

Bible Study 9:00 am
Worship Service 10:00 am

Pastor
Rev. Anna Anderson

President
Gerry Fuller

Office Administrator
Nancy Cox Jairrels

Director of Music Ministry
Michael Lewallen

Newsletter Copy Editor
Marianne Hetzer



What's Inside

Birthdays Page 7
Kids Pages Page 9
Synod News Page 8
Volunteer & Ministry Page 5-6
Worship News Page 2



Personal views of God shape our Bible interpretation

Give my regards to Broadway... Well, not quite Broadway. I was on the territory of the Metro NY Synod for a week of continuing education recently, but the Koininia Lutheran Camp where it was held was miles from any highway and reachable only by a rutted dirt road that may have once had some gravel. There was a pristine lake about a mile's hike away from the Conference center where we slept and had our classes.

My classmates were in congregations much like Advent, so comparing ideas and notes was helpful. The topics were especially relevant to urban areas with a heavy professional concentration. One of the speakers concentrated on ap-

(Continued on page 4)

Sunday Worship Celebrations

May 17

We celebrated the Ascension of Our Lord, remembering that Jesus left his ministry to us, his Church, and left with the promise that, by his Spirit, we would have the power to do it and that he would be with us as we take that ministry to the ends of the earth.

May 24

We celebrated the gift of the Holy Spirit that empower the Church and each of us for our ministry, and we celebrated how that gift is used by scientists and mathematicians in making the gifts of creation accessible to us all, remembering especially the lives and ministries of Copernicus and Euler.

May 31

We celebrate the mystery of the Holy Trinity which invites us into the loving relationships in Gods-self, and we celebrate the Visitation of Mary Mother of Our Lord to Elizabeth, the mother of John the Baptist, who recognized that the One God was fully present in the human child Mary carried and proclaimed with joy that mystery.

June 7

Come celebrate the Church's ministry of jus-



The Spirit in science & math. Floating balloons and paper stars on the wall illustrate the May 24th service.

tice in the Fair Trade food initiative and find out how you can participate with Advent. Read more on page 4.

June 14

Celebrate the close of the fiscal year and the beginning of a new era at Advent. The Assistant to the Bishop will be present to rejoice with us.

Come for an evening of music & fellowship

Advent's choir has been blessed with additional singers this year. Thank you to all who work to enhance to message of the Bible texts in song each week, and to Michael, our amazing teacher and director.

The choir will perform in a community concert to be held at Advent on May 31 at 7:30 pm. We will be joined by choirs from the Mormon and the Methodist churches, as well as the 23rd Street Chamber Players, an ensemble of community musicians. And the combined choirs will perform several pieces, so a great sound will go forth in South Arlington. Come be a part of the celebration!

As hosts, please be especially welcoming and helpful to guests who may not know the building. If you would like to bring some cookies to share afterwards, please do!

Advent

News & Announcements

New constitution and bylaws on annual meeting agenda

Our Advent Annual Congregational Meeting is June 14 following worship. The nominating committee has a fine slate of leaders for you to vote on, and the budget to support our ministry for the coming program year (mailed to you) needs your vote of confidence and approval. Our work on the new constitution and bylaws (available in paper and on the website) awaits your approval. Please be there to support the work of our Lord in this place. Bring your refreshments back into the sanctuary and add your voice!

The next Congregational Council meeting is June 10. Members who have been approached by the nominating committee are invited to observe, as are any interested members of the community. A date for the leadership retreat will be set, so if you would like to be included, please bring your calendars to the meeting.

Learn more about the Fair Trade coffee we serve

Advent enthusiastically supports Equal Exchange by serving Fair Trade coffee every Sunday and including Fair Trade chocolates and tea in our welcome bags, provided to every first-time visitor.

An Equal Exchange group visited Nicaragua in February, stayed with a farm family and observed their coffee producing as part of the Nueva Terra cooperative.

A trip participant from Arlington, Jaydee Hanson, accepted our offer to make a presentation of his experiences with the Nicaraguan coffee farmers. Mr. Hanson will join us for Exploring Faith at 11:30 am on June 7. A slideshow will accompany his talk and he will answer questions from the audience.

Don't miss this special occasion.



Jaydee Hanson worked with the coffee growers



As we come to the end of a program year, we especially lift up in thanksgiving all of you who make the various ministries of Advent come to life. I hope that when you see the long list of helpers mentioned each week in the bulletin, you also commend those not listed who work behind the scenes in keeping the building clean, the temperature comfortable, the gardens attractive, the parking lot useable, the homeless fed, and so on. God's work in this place is only done because of your hands and your hearts for ministry.

Advent

News & Announcements

WELCOME! new members

On April 26 the congregation welcomed Jill Williams, Irene Stigen, Jesse Fonkert, Kelsey Junget, Erin Cashin, and Eilley Cashin into the fellowship at Advent. Eilley was received in the Sacrament of Holy Baptism. We are always glad for the opportunity to introduce those new to our community who are living their faith here.

God is viewed through many lenses

(Continued from page 1)

proaches to use with people who have explored various religious paths and who are new to Christianity today. Another speaker, who does Lutheran Campus Ministry at the University of Chicago and teaches theology, gave lectures on Luther, Kirkegard, and other systematic theology exegesis of difficult Bible passages. We talked about practical applications in the congregation for teaching and catechizing. They were very interested in our new constitution and both the speaker from Seattle and the NY people would like copies of it. The assistant to the bishop of their synod was there and approving of what is going on here.

We learned about the different ways that people fill in the gaps in Bible stories, and that how they fill them in depends on the way they see God. One way is to see suffering coming from a punishing God. Another is to see God as merciful to those who try to be good. Luther saw even his trying as tainted by sin and so was comforted by the promise of God to be gracious and merciful solely from God's own

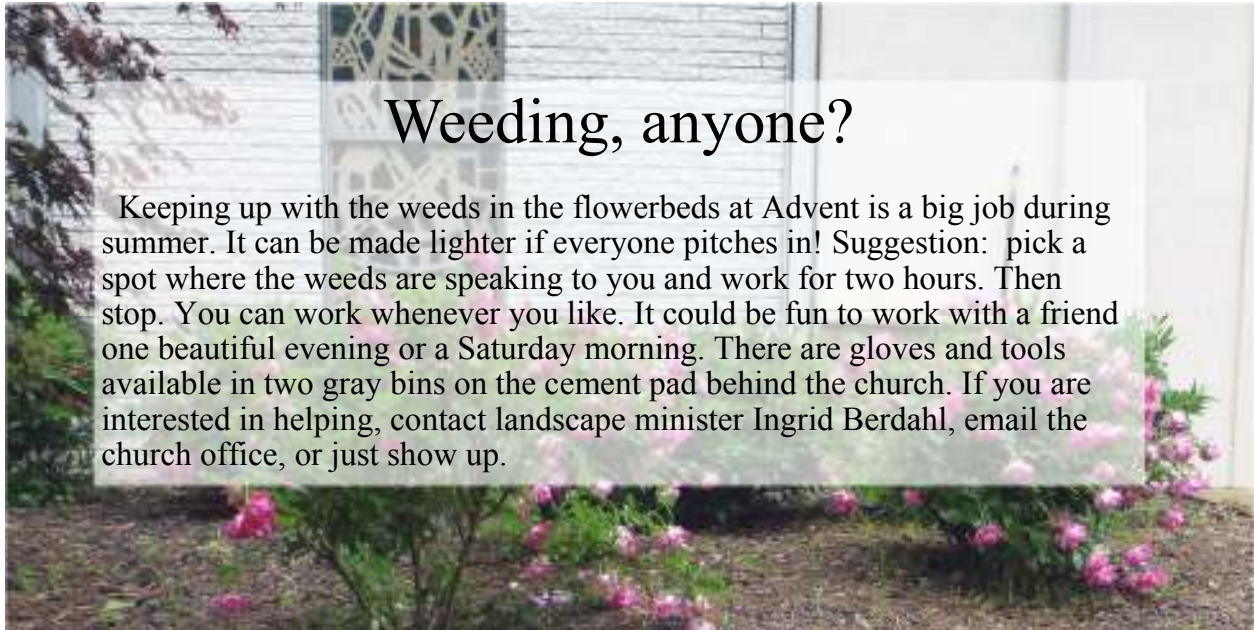
"We learned about the different ways that people fill in the gaps in Bible stories, and that how they fill them in depends on the way they see God."

grace and love. However, he witnessed to a life-long struggle to trust God's promise in the face of the suffering in the world. For Luther, suffering is not caused by God but by our finite human state as a part of nature and is the inscrutable part of God, but God as revealed in Christ is with us in our suffering. For Kirkegard, God gives us spiritual trials to test us so that we must confront the abyss, the inscrutable part of God. Our instructor explored the way these and other lenses interpret difficult Bible stories.

If you would like to talk further with me about any of these ideas, I'd be happy to share more of my learnings with you! Meanwhile, thank you all for making this possible for me. May God give you new lenses and insight as you hear the Word each Sunday or meditate on it in your heart.

Love, Pastor Anna

Opportunities to lend a helping hand



Weeding, anyone?

Keeping up with the weeds in the flowerbeds at Advent is a big job during summer. It can be made lighter if everyone pitches in! Suggestion: pick a spot where the weeds are speaking to you and work for two hours. Then stop. You can work whenever you like. It could be fun to work with a friend one beautiful evening or a Saturday morning. There are gloves and tools available in two gray bins on the cement pad behind the church. If you are interested in helping, contact landscape minister Ingrid Berdahl, email the church office, or just show up.

School's out for summer; hunger isn't

Summer means that needy families can't rely on kids eating breakfast at school. For the next two months please donate boxes of cereal to share, especially kid friendly varieties, so we can help feed our neighbors in need. We will collect the cereal in the Welcome Center before transporting it to the Arlington Food Assistance Center (AFAC). Learn more about agency at www.afac.org.



Donations from past drive covered tables.

The purpose of life is not to be happy. It is to be useful, to be honorable, to be compassionate, to have it make some difference that you have lived and lived well.

—Ralph Waldo Emerson

Give a senior citizen a ride

Shepherd's Center has added many new senior clients and need more volunteers to help get them to and from medical appointments, the pharmacy and grocery store. This year the center is well on its way to providing 2,000 – 2,500 rides. Up from 1,507 in 2014 and 841 in 013. Please be willing to become a volunteer. No long term commitment is required, only volunteer when your schedule permits. To find out more about the center and how you can help e-mail info@scmafc.org, call 703-506-2199, or visit www.scmafc.org.

OUT WITH THE DIRT!

A morning of indoor cleaning set for June 27

As our building ages, we've identified tasks that our cleaning service is not able to do in the course of the regular weekly cleaning. We will hold a cleaning day on Saturday, June 27, from 9 am to noon. Property Minister Jones Dai has placed a sign-up sheet in the welcome center. Please sign up for a task or two and join us on June 27th!

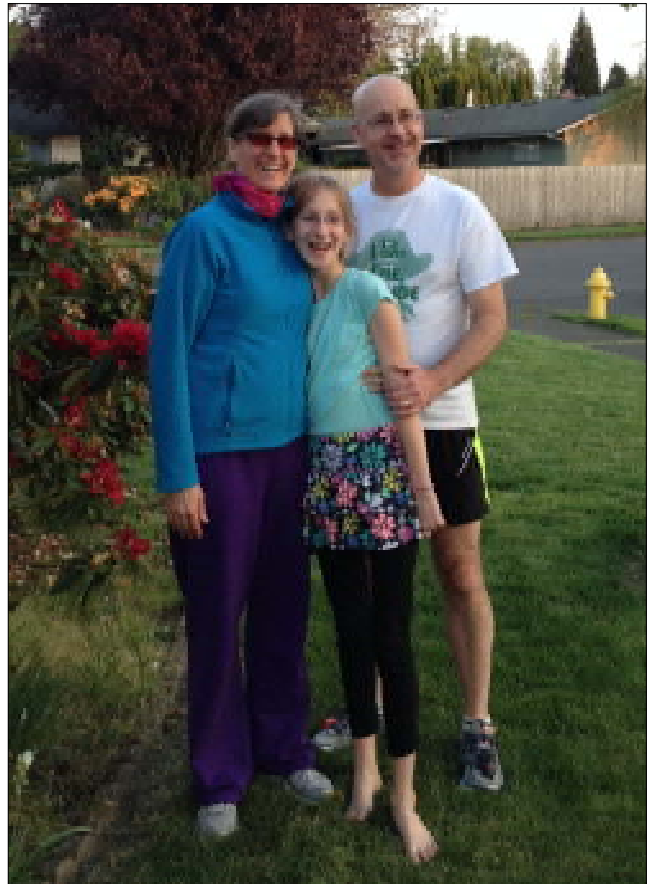
On schedule for cleaning are: windows (not stained glass), dusting, kitchen cupboards, refrigerator, lounge, Welcome Center furniture, clean and sanitize the nursery. Nancy would also appreciate help de-cluttering and organizing the office and the supply closet, and dusting/cleaning the leaves of the large tree in the Welcome Center. Bring work gloves if you'd like.

Greetings from Gresham, Oregon!

I visited Advent's former pastor Janell Bethke and her family in Gresham recently. Janell served as Advent's pastor in 2000 – 2004. They are doing well despite the challenges of the past year. As many of you know, Janell was involved in a serious car accident in April 2014. She sustained a head injury and has been on disability leave from her pastoral call since the accident. Last month she resigned her call from Immanuel Lutheran Church where she had served as pastor since May 2012. Although she has made great strides in physical and vision therapy, she is not in a position to work at this time. Immanuel had begun a process similar to Mission Transformation in spring 2013 and continued the process with their interim minister. Janell is optimistic that she will be able to return to ministry in the future.

Jeff works as the registrar at a local high school and occasionally serves as supply pastor. He's an avid runner and participates in races and marathons at every opportunity. Abigail, age 11, is in 5th grade at Portland Lutheran School. She enjoys gymnastics, reading and playing with friends.

If you'd like to contact the Bethkes, you can reach them at 1140 S. E. 224th Ave., Gresham, OR 97030.
- Debbie Lewis



Advent

News & Announcements

Coming up this summer

June 19-20 is our Synod Assembly. Gerry Fuller and Wendell Anderson will attend for Advent along with Pastor Anna.

Pastor Anna and David Day will attend Confirmation Camp from July 26-31 at Mar-Lu-Ridge. This year the curriculum will center on the Passion of Jesus. The teachers are pastors from the Metro DC Synod and the Delaware-Maryland Synod.

Giving to “Gifts of Hope” up more than 5% over last year

During the 2014 Advent season, 46 churches in the Metropolitan Washington DC Synod of the Evangelical Lutheran Church in America (ELCA) raised \$120,160 for Gifts of Hope. This amount represents a 5.5% increase over the amount raised the previous year. Advent members contributed \$2,450.

Gifts of Hope is a consortium of 17 Lutheran-sponsored organizations in the Metropolitan Washington DC area that share a common mission of answering the Lord's call to aid people in need. Included in the consortium are 10 social service agencies, two church camps, one college, one seminary, and three international companion synods. While Gifts of Hope is sponsored by the DC Synod, most of its organizations are pan-Lutheran, meaning that they are allied with more than one Lutheran church body. The two largest are the ELCA and Lutheran Church – Missouri Synod.

The Gifts of Hope program allows individuals to remember friends or relatives on special occasions by donating funds to one of these worthy organization in lieu of buying a gift. Although the Gifts of Hope program's primary focus is during the season of Advent, gifts are available year-round. To purchase a Gift of Hope in lieu of a gift for a special occasion, just go to the website: www.giftsofhope.org.

- Marilyn Falksen

SOUPER Results! \$7.9M to feed the hungry

Thanks for being a part of our Souper Bowl team this year! Souper Bowl of Caring is currently reporting more than \$7.9 million in cash and food items nationwide, and it could not have done it without you! Because of you, one less family will struggle. Advent's contributions were donated to the Arlington Food Assistance Center (AFAC).



May

1st Ismay Lovell
10th Scott Hetzer
11th Sarah Wickre
13th Michael Lewallen
17th Kate Carey
18th David Day
24th Jill Williams
26th Roxie Jairrels
31st Will Ebel

June

3rd Wendell Anderson
Lucy Matzner
10th Oliver Thomas
11th David Pellinen
20th Sandhya Deo
22nd Mark Duncan
28th Linda Vilardo

July

1st Joy Duncan
2nd Larry Tindal
16th Georges Toth
25th Archie Hall
26th Noah Herrera
31st Erin Cashin
Geoffrey Falksen

August

4th Corey Alvarez
Samantha Carey
9th Marianne Hetzer
11th Ingrid Berdahl
13th Susan Maly
16th Nesta Alleyne
17th Janet Miller
18th Susan Alvarez
21st Susan Toth
30th Nancy Cox Jairrels
31st Merlin Neff

Advent

News & Announcements

Tables of Fellowship

The tables have been cleared but the leftover fellowship continues to feed our community. The rotating meal ministry will return next year and when it does sign up to participate and be blessed with wonderful food, conversation, prayer and fellowship.



What's going on . . . in the synod & churchwide

Inspiring screen time

Get inspired with video of TIM2015 presentations posted to <http://timmetrodc.org/>. The all-synod Together in Mission event was held in late January, but the 8-minute maximum segments were recorded. Scroll over photos on the site to dip into topics such as "The Art of Understanding Scripture" and "New Economies."

A gap year of faith exploration

A relatively new experience for young adults is called "ALT year" - standing for Abundant Year Together - a new kind of gap year experience for ages 18-25. ALT year is a nine month program of the ELCA in either Orange, Calif. or Toledo, Ohio blending intentional community, faith and vocation issue exploration, and service. Rolling admissions are accepted as space is available. More at www.altyear.org.

Join online Luther Book Club

Don't know if it's on your radar, but anticipation is mounting as we approach 2017 - the 500th anniversary of the Reformation movement. One opportunity in conjunction with this observance is Luther Reading Challenge. It's an online community for reading and discussion of Luther's theological writings as a preparation for the Reformation anniversary. From now until October 2017, a wide range of Luther's works will be made available online. Anyone can sign up for a free account to join the conversation. The Luther Reading Challenge is an initiative of the Institute for Ecumenical Research in Strasbourg, France, where the Rev. Dr. Sarah Hinlicky Wilson, our 2015 Synod Assembly keynote speaker, teaches. Learn more at www.lutherreadingchallenge.org, and find a sampling of other "Luther 2017" plans at www.metrodcelca.org/events/luther-2017/

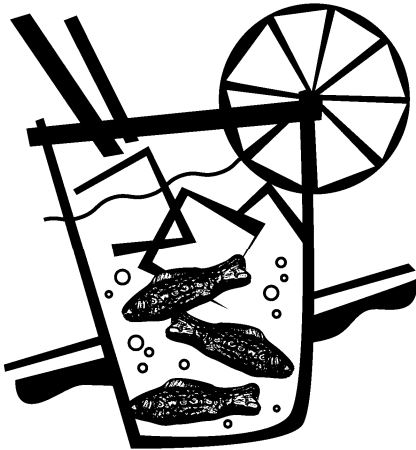
Worship is the heart of all we do

Given competition, is it 'the hub of our week, space of our regrouping?'

These questions are explored in ELCA Presiding Bishop Elizabeth Eaton's monthly column. Read more at <http://metrodcelca.org/2015/04/worship-is-the-heart-of-all-we-do/>

OCEAN WATER

After a busy summer day, relax in the shade with this cool drink.



What you need:

- 3 Tablespoons water
- 3 Tablespoons sugar
- 1 teaspoon coconut extract
- 3 drops blue food coloring
- 24 oz. (2 cans) lemon-lime soda
- Clear cup or glass
- Ice
- Swedish Fish candy

What you do:

1. In a small microwave-safe bowl, combine the water and sugar. Heat for 1 minute. Stir until sugar is dissolved.
2. Pour the mixture into a pitcher. Add coconut extract, food coloring and soda. Stir.
3. Pour into cup. Add ice and fish. Enjoy!




PUZZLE


UNDER THE SEA


This summer, consider God's marvelous creation under the sea.





Directions: Write the animal names on the blanks. Then use the circled letters (they may not be in the right order) to create a new word from Psalm 148:7, NIV. Finally, match the words to their numbered blanks below.


 ○ ○ _ _ _ _ ○ >>>> _ _ _ _ d
2


 _ ○ ○ _ _ _ _ >>>> _ _ _ _ t _
4

 _ ○ ○ m _ _ _ _ >>>> g _ _ _ _
6

 ○ _ _ _ g ○ ○ _ _ >>>> p _ _ _ _ e
1

 _ _ _ _ _ ○ _ _ _ _ >>>> _ o u
5

 _ _ _ _ n _ _ _ _ >>>> _ r _ m
3

 (s) ○ ○ _ _ _ _ >>>> c _ _ _ _ _ u r e _
7

_ the _ the _ ,
1 2 3 4

_ sea _ .
5 6 7

PSALM 148:7, NIV

Answers: lobster > Lord, sea horse > earth, hermit crab > great, stingray > praise, jellyfish > you, clownfish > from, sea star > creatures

Praise the LORD from the earth, you great sea creatures. Psalm 148:7, NIV

On vocation? Use GPS!

Many vacationers rely on a global positioning system to get them easily to a destination. But in every season of life, God sends us on vocation — following his call to both feed our passions and serve others. Our “calling,” Frederick Buechner said, is “where [our] deep gladness and the world’s deep hunger meet.”

But is there a GPS for vocation? It’s not as detailed or predictive as we’d like. It doesn’t name our destination at the outset, and it offers general instructions rather than specific directions. And we may end up “recalculating” our life route more often than our vehicle GPS recalculates our vacation route.

Even so, we travel in safety. This “GPS” might stand for God’s Peace and Strength, or Gospel Promises Sustain, God Provides Salvation or Go! Proclaim! Serve! The GPS guiding our vocation speaks to us through Scripture, worship, trusted Christian friends, life events and the silence of our heart. Listening, we hear our Guide’s calm voice and continue on vocation.

—Heidi Mann



+Christian Symbol+ *Quatrefoil*

The word quatrefoil comes from the Latin for "four leaves." A quatrefoil in art or architecture is the outline of four partially overlapping circles of the same diameter. In Christian tradition, it represents the writers of the four gospels - Matthew, Mark, Luke and John - which overlap one another partially but not entirely, and are equally important to our understanding of Jesus.

Advent Lutheran Church
2222 S. Arlington Ridge Road
Arlington, VA 22202